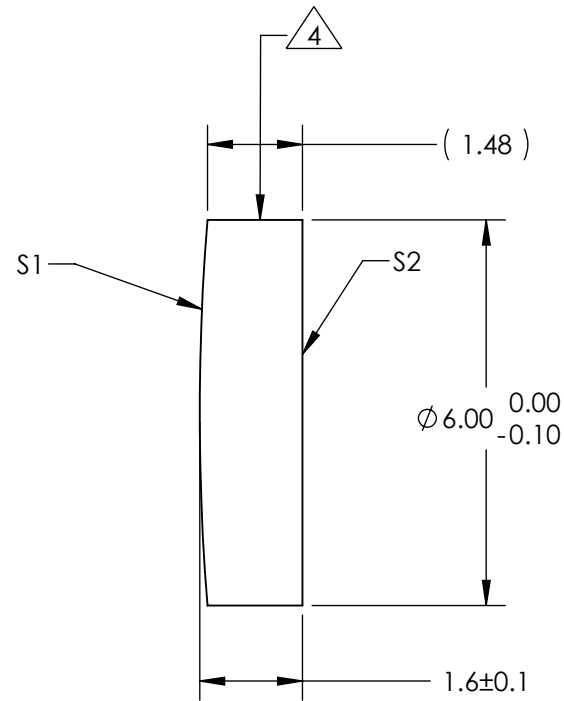



1. ALLOWABLE OPTICAL MATERIAL: GRADE A FINE ANNEALED
SCHOTT: BK7 517/642
 2. CENTERING TOLERANCE:
BEAM DEVIATION: 3-5 arc min.
 3. COATING (APPLY ACROSS COATING APERTURE)
S1: NONE
S2: NONE
- △ FINE GROUND SURFACE
5. FOCAL LENGTH TOLERANCE: $\pm 1\%$



**FOR INFORMATION ONLY:
DO NOT MANUFACTURE PARTS TO THIS DRAWING**

| | S1 | S2 | | |  Edmund Optics[®] | |
|-----------------|--------------|--------------|---------------------|-------|--|-------|
| SHAPE | CONVEX | PLANO | EFL (AT 587.6nm) | 72.00 | | |
| RADIUS | 37.22 | INFINITY | BFL (AT 587.6nm) | 70.97 | DWG NO | 32850 |
| SURFACE QUALITY | 40-20 | 40-20 | ALL DIMS IN | mm | | |
| CLEAR APERTURE | ≥ 5.40 | ≥ 5.40 | | | | |
| BEVEL MAX FACE | 0.25mm x 45° | 0.25mm x 45° | | | | |