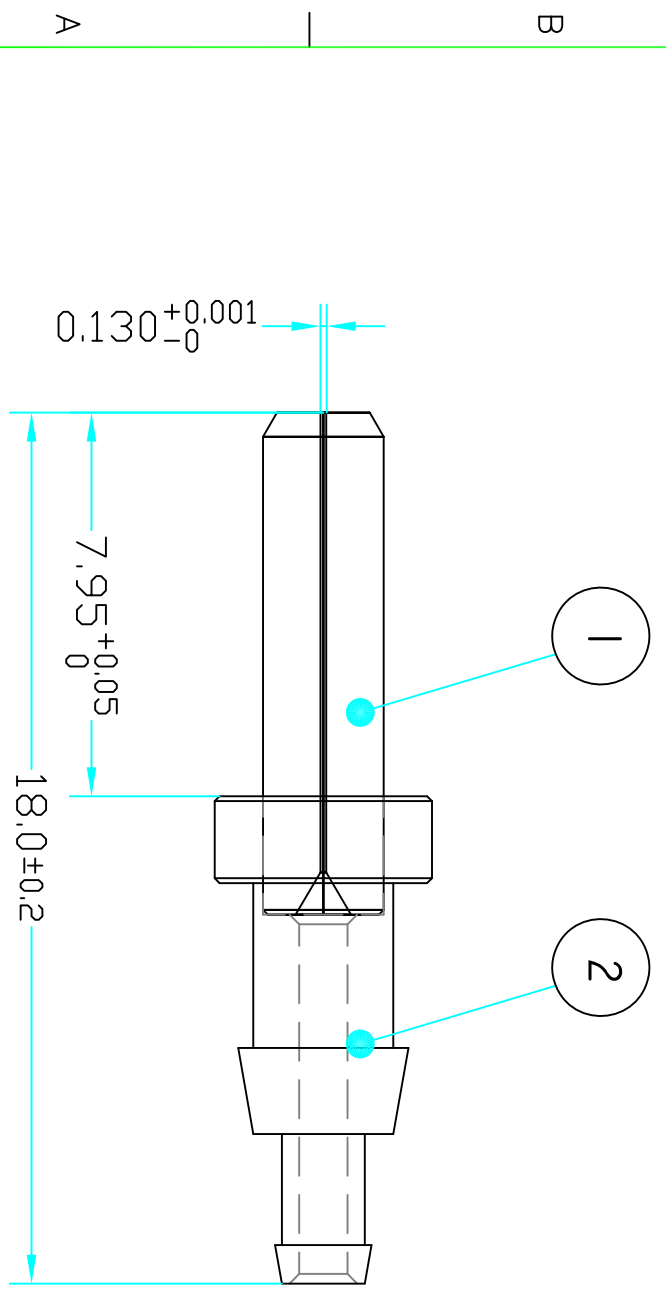
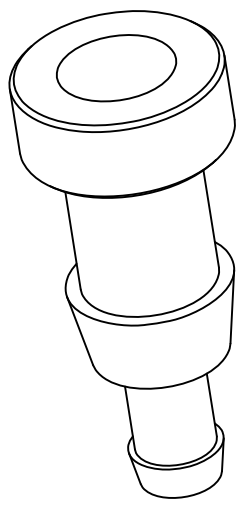
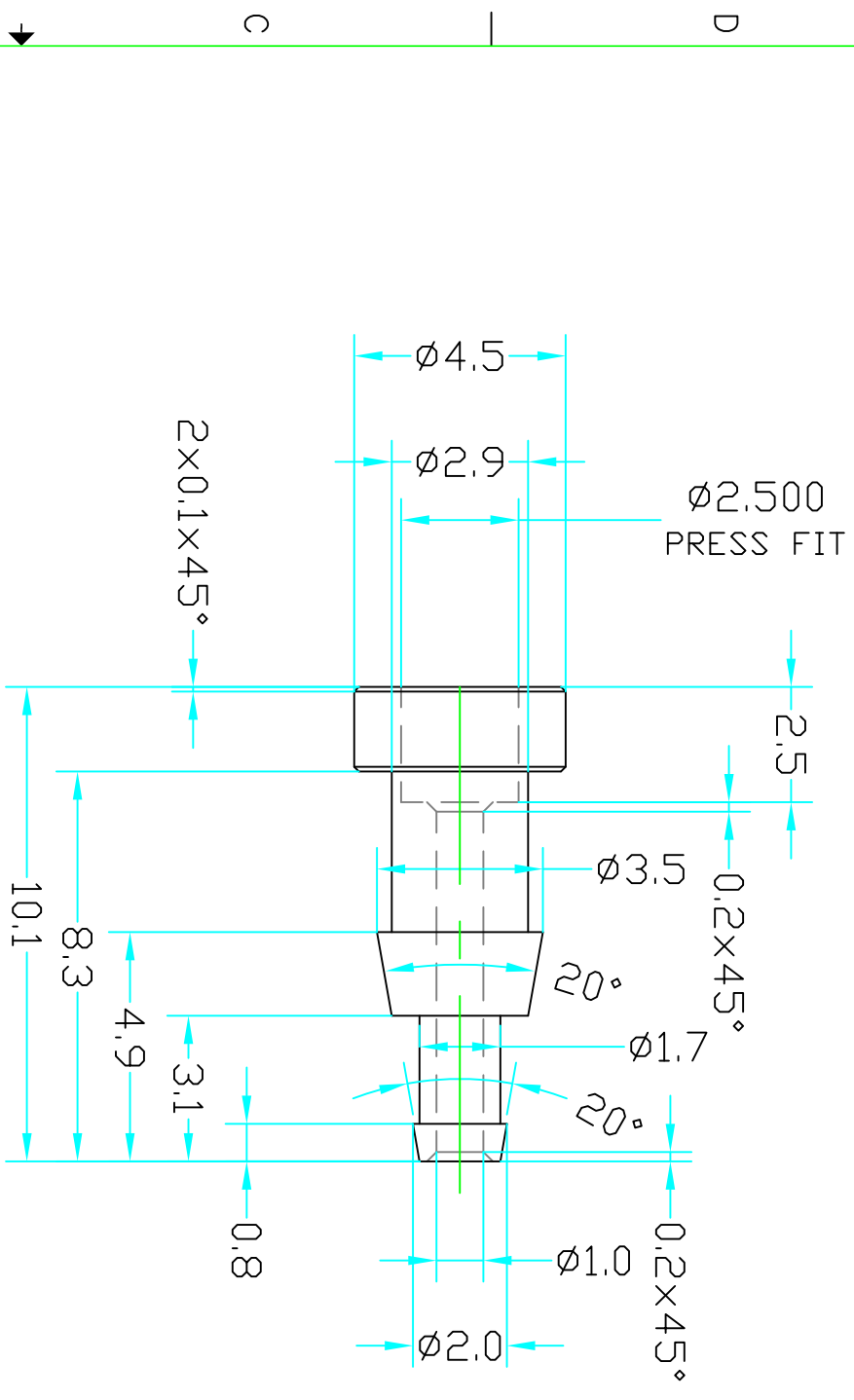


ZONE	REV	DESCRIPTION	DATE	APPROVED



\* SEE DRAWING  
FZI-SC-PC-XXXX FOR MOR  
DETAIL

ASSEMBLY

UNLESS OTHERWISE SPECIFIED:	PARTS LIST	PART DESCRIPTION	REF. SHEET/DWG.
1. DIMENSIONS ARE IN MM.	2	1 EA FLANGE	316 ST/STEEL
2. MACHINE SURFACES TO BE FLAT, SQUARE, PARALLEL & CONCENTRIC WITHIN 0.20 FOR 100 MM OR 0.20 TIR AS APPLICABLE.	1	1 EA FERRULE	ZIRCONIA
3. MARK ALL DETAILS (EXCEPT COMMERCIAL PARTS) WITH DWG. & ITEM NUMBER.			
4. RILETS SHOWING SHARP TO R40.			
5. RILETS SHOWING SHARP TO R40.			
6. TAPPED HOLES: MIN DEPTH 2.0 x DIA.			
7. CHAMFERS PERMISSIBLE.			
8. DO NOT SCALE DRAWING.			
9. ALL WELDING TO CONFORM TO LATEST A.M.S. STANDARDS.			
10. ALL WELDING TO CONFORM TO LATEST A.M.S. STANDARDS.			

PERMISSIBLE VARIATION IN MM DIMENSIONS WITHOUT TOLERANCES	SURFACE TEXTURE
DIMEN < 3	3.2
3-6	3.2
6-10	3.2
10-18	3.2
18-30	3.2
30-50	3.2
50-80	3.2
80-120	3.2
TOLER	3.2
DIMEN 120-180	3.2
180-250	3.2
250-315	3.2
315-400	3.2
400-500	3.2
500-630	3.2
630-800	3.2
800	3.2
TOLER	3.2
120-200	3.2
200-250	3.2
250-315	3.2
315-500	3.2
500-630	3.2
630-800	3.2
800-1000	3.2
1000-1250	3.2
1250-1600	3.2
1600-2000	3.2
2000-2500	3.2
2500-3150	3.2
3150-4000	3.2
4000-5000	3.2
5000-6300	3.2
6300-8000	3.2
8000-10000	3.2
10000-12500	3.2
12500-16000	3.2
16000-20000	3.2
20000-25000	3.2
25000-31500	3.2
31500-40000	3.2
40000-50000	3.2
50000-63000	3.2
63000-80000	3.2
80000-100000	3.2
100000-125000	3.2
125000-160000	3.2
160000-200000	3.2
200000-250000	3.2
250000-315000	3.2
315000-400000	3.2
400000-500000	3.2
500000-630000	3.2
630000-800000	3.2
800000-1000000	3.2
1000000-1250000	3.2
1250000-1600000	3.2
1600000-2000000	3.2
2000000-2500000	3.2
2500000-3150000	3.2
3150000-4000000	3.2
4000000-5000000	3.2
5000000-6300000	3.2
6300000-8000000	3.2
8000000-10000000	3.2
10000000-12500000	3.2
12500000-16000000	3.2
16000000-20000000	3.2
20000000-25000000	3.2
25000000-31500000	3.2
31500000-40000000	3.2
40000000-50000000	3.2
50000000-63000000	3.2
63000000-80000000	3.2
80000000-100000000	3.2
100000000-125000000	3.2
125000000-160000000	3.2
160000000-200000000	3.2
200000000-250000000	3.2
250000000-315000000	3.2
315000000-400000000	3.2
400000000-500000000	3.2
500000000-630000000	3.2
630000000-800000000	3.2
800000000-1000000000	3.2
1000000000-1250000000	3.2
1250000000-1600000000	3.2
1600000000-2000000000	3.2
2000000000-2500000000	3.2
2500000000-3150000000	3.2
3150000000-4000000000	3.2
4000000000-5000000000	3.2
5000000000-6300000000	3.2
6300000000-8000000000	3.2
8000000000-10000000000	3.2
10000000000-12500000000	3.2
12500000000-16000000000	3.2
16000000000-20000000000	3.2
20000000000-25000000000	3.2
25000000000-31500000000	3.2
31500000000-40000000000	3.2
40000000000-50000000000	3.2
50000000000-63000000000	3.2
63000000000-80000000000	3.2
80000000000-100000000000	3.2
100000000000-125000000000	3.2
125000000000-160000000000	3.2
160000000000-200000000000	3.2
200000000000-250000000000	3.2
250000000000-315000000000	3.2
315000000000-400000000000	3.2
400000000000-500000000000	3.2
500000000000-630000000000	3.2
630000000000-800000000000	3.2
800000000000-1000000000000	3.2
1000000000000-1250000000000	3.2
1250000000000-1600000000000	3.2
1600000000000-2000000000000	3.2
2000000000000-2500000000000	3.2
2500000000000-3150000000000	3.2
3150000000000-4000000000000	3.2
4000000000000-5000000000000	3.2
5000000000000-6300000000000	3.2
6300000000000-8000000000000	3.2
8000000000000-10000000000000	3.2
10000000000000-12500000000000	3.2
12500000000000-16000000000000	3.2
16000000000000-20000000000000	3.2
20000000000000-25000000000000	3.2
25000000000000-31500000000000	3.2
31500000000000-40000000000000	3.2
40000000000000-50000000000000	3.2
50000000000000-63000000000000	3.2
63000000000000-80000000000000	3.2
80000000000000-100000000000000	3.2
100000000000000-125000000000000	3.2
125000000000000-160000000000000	3.2
160000000000000-200000000000000	3.2
200000000000000-250000000000000	3.2
250000000000000-315000000000000	3.2
315000000000000-400000000000000	3.2
400000000000000-500000000000000	3.2
500000000000000-630000000000000	3.2
630000000000000-800000000000000	3.2
800000000000000-1000000000000000	3.2
1000000000000000-1250000000000000	3.2
1250000000000000-1600000000000000	3.2
1600000000000000-2000000000000000	3.2
2000000000000000-2500000000000000	3.2
2500000000000000-3150000000000000	3.2
3150000000000000-4000000000000000	3.2
4000000000000000-5000000000000000	3.2
5000000000000000-6300000000000000	3.2
6300000000000000-8000000000000000	3.2
8000000000000000-10000000000000000	3.2
10000000000000000-12500000000000000	3.2
12500000000000000-16000000000000000	3.2
16000000000000000-20000000000000000	3.2
20000000000000000-25000000000000000	3.2
25000000000000000-31500000000000000	3.2
31500000000000000-40000000000000000	3.2
40000000000000000-50000000000000000	3.2
50000000000000000-63000000000000000	3.2
63000000000000000-80000000000000000	3.2
80000000000000000-100000000000000000	3.2
100000000000000000-125000000000000000	3.2
125000000000000000-160000000000000000	3.2
160000000000000000-200000000000000000	3.2
200000000000000000-250000000000000000	3.2
250000000000000000-315000000000000000	3.2
315000000000000000-400000000000000000	3.2
400000000000000000-500000000000000000	3.2
500000000000000000-630000000000000000	3.2
630000000000000000-800000000000000000	3.2
800000000000000000-1000000000000000000	3.2
1000000000000000000-1250000000000000000	3.2
1250000000000000000-1600000000000000000	3.2
1600000000000000000-2000000000000000000	3.2
2000000000000000000-2500000000000000000	3.2
2500000000000000000-3150000000000000000	3.2
3150000000000000000-4000000000000000000	3.2
4000000000000000000-5000000000000000000	3.2
5000000000000000000-6300000000000000000	3.2
6300000000000000000-8000000000000000000	3.2
8000000000000000000-10000000000000000000	3.2
10000000000000000000-12500000000000000000	3.2
12500000000000000000-16000000000000000000	3.2
16000000000000000000-20000000000000000000	3.2
20000000000000000000-25000000000000000000	3.2
25000000000000000000-31500000000000000000	3.2
31500000000000000000-40000000000000000000	3.2
40000000000000000000-50000000000000000000	3.2
50000000000000000000-63000000000000000000	3.2
63000000000000000000-80000000000000000000	3.2
80000000000000000000-100000000000000000000	3.2
100000000000000000000-125000000000000000000	3.2
125000000000000000000-160000000000000000000	3.2
160000000000000000000-200000000000000000000	3.2
200000000000000000000-250000000000000000000	3.2
250000000000000000000-315000000000000000000	3.2
315000000000000000000-400000000000000000000	3.2
400000000000000000000-500000000000000000000	3.2
500000000000000000000-630000000000000000000	3.2
630000000000000000000-800000000000000000000	3.2
800000000000000000000-1000000000000000000000	3.2
1000000000000000000000-1250000000000000000000	3.2
1250000000000000000000-1600000000000000000000	3.2
1600000000000000000000-2000000000000000000000	3.2
2000000000000000000000-2500000000000000000000	3.2
2500000000000000000000-3150000000000000000000	3.2
3150000000000000000000-4000000000000000000000	3.2
4000000000000000000000-5000000000000000000000	3.2
5000000000000000000000-6300000000000000000000	3.2
6300000000000000000000-8000000000000000000000	3.2
8000000000000000000000-10000000000000000000000	3.2
10000000000000000000000-12500000000000000000000	3.2
12500000000000000000000-16000000000000000000000	3.2
16000000000000000000000-20000000000000000000000	3.2
20000000000000000000000-25000000000000000000000	3.2
25000000000000000000000-31500000000000000000000	3.2
31500000000000000000000-40000000000000000000000	3.2
40000000000000000000000-50000000000000000000000	3.2
50000000000000000000000-63000000000000000000000	3.2
63000000000000000000000-80000000000000000000000	3.2
80000000000000000000000-100000000000000000000000	3.2
100000000000000000000000-125000000000000000000000	3.2
125000000000000000000000-160000000000000000000000	3.2
160000000000000000000000-200000000000000000000000	3.2
200000000000000000000000-250000000000000000000000	3.2
250000000000000000000000-315000000000000000000000	3.2